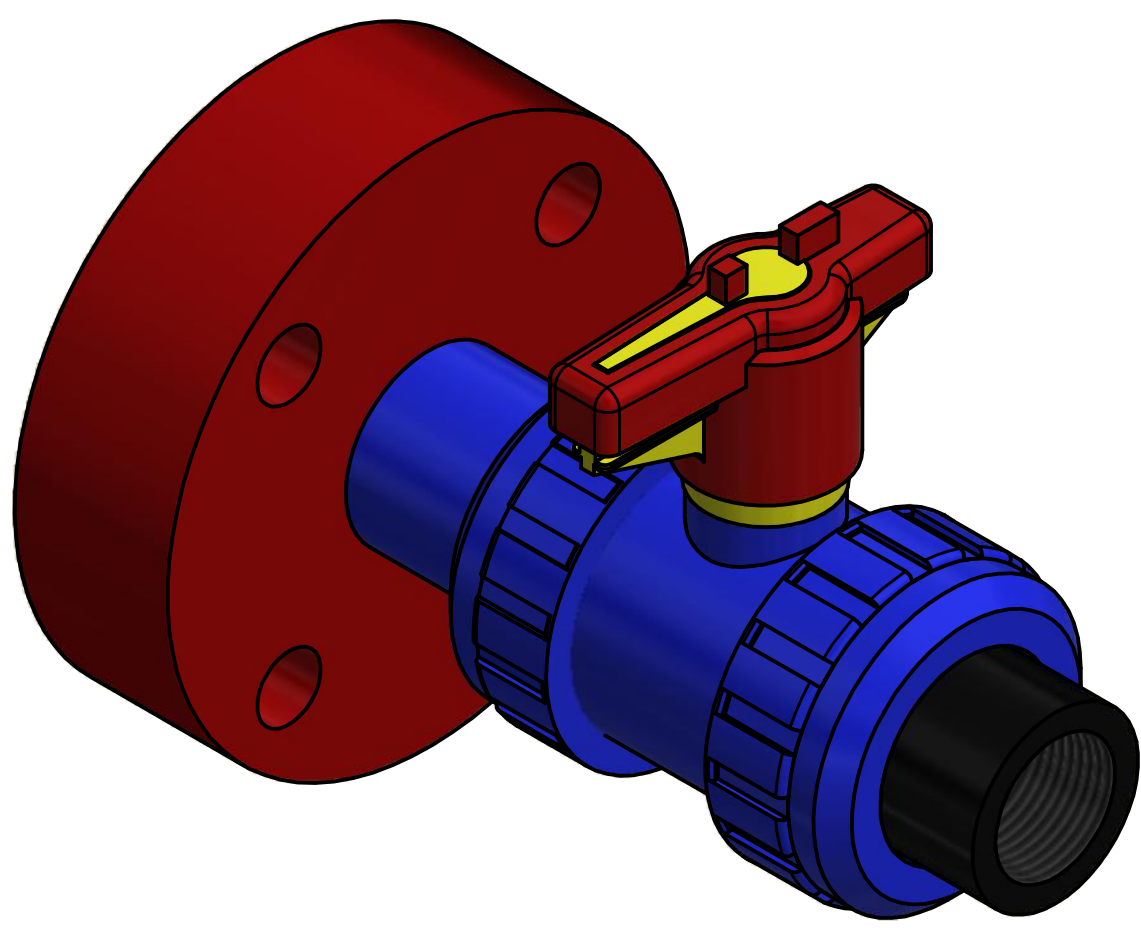
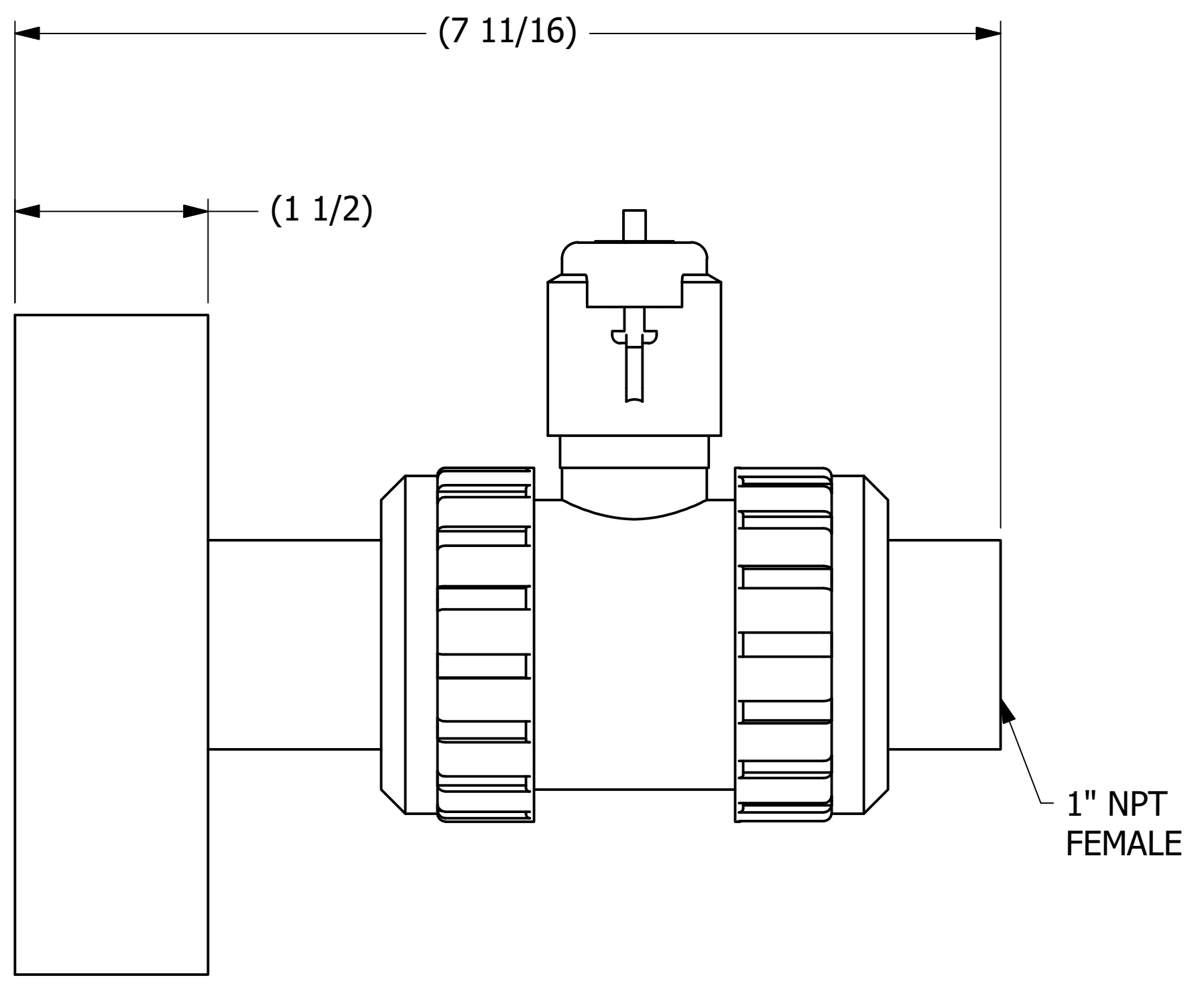
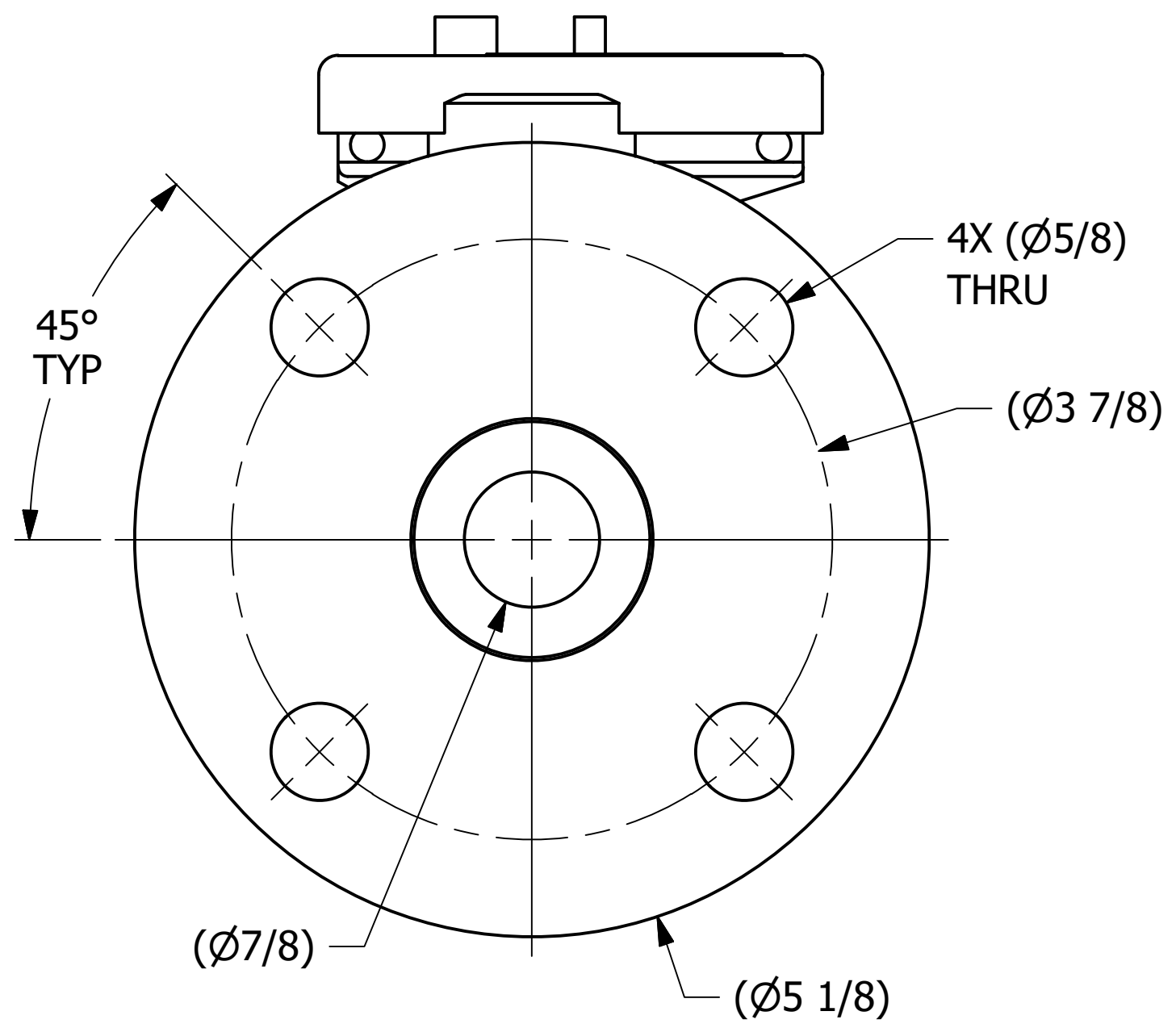


SALES DRAWING SALES DRAWING SALES DRAWING SALES DRAWING SALES DRAWING

SALES DRAWING SALES DRAWING SALES DRAWING SALES DRAWING SALES DRAWING



ISOMETRIC VIEW

C	TAK	11/17/20	202011171004	TAK
REV	BY	DATE	REF #	PUB
<b>SALCO PRODUCTS, INC.</b>				
PART NAME: <b>AIR VALVE ASSEMBLY 1 1/2"X1"</b>				
MATERIAL: <b>SALCO PE/PE</b>				
PROJECT #: <b>H150622</b>		SHEET #: <b>1 OF 1</b>		SCALE: <b>1 : 1</b>
PART #: <b>HSAVAPE42609</b>				

UNLESS OTHERWISE SPECIFIED DIMENSIONAL TOLERANCES FRACTIONAL: ±1/16 X.XX: ±.03 X.XXX: ±.015 ANGLE: ±1° DEBURR ALL SHARP EDGES. ALL MACHINED SURFACES TO HAVE A 125 RMS FINISH UNLESS NOTED OTHERWISE. <small>THIRD ANGLE PROJECTION</small>	DRAWN BY:	TAK
	CHECKED BY:	JRO
	PROTOTYPE DATE:	10/28/2015
	APPROVED FOR PRODUCTION BY:	TAK
	PRODUCTION DATE:	12/17/2015
	SIZE:	C
DRAWING #:	42609	